



Type IC, Wet & Air-Tight

LED-1-S7W-5CCT

2" Recessed LED 7W 5CCT



DESCRIPTION

2" Recessed LED With Integral Driver In Connection Box
Ultra compact and versatile with 5CCT switch on the fixture

FEATURES & BENEFITS

5CCT User Selectable Light Color

Type IC Rated - No Housing Required

Fast & Easy To Install - Save On Labor

3 3/8" Deep - Install Where Ceiling Space Is Limited

430 to 480 lm with CRI 90+ for true colour rendering

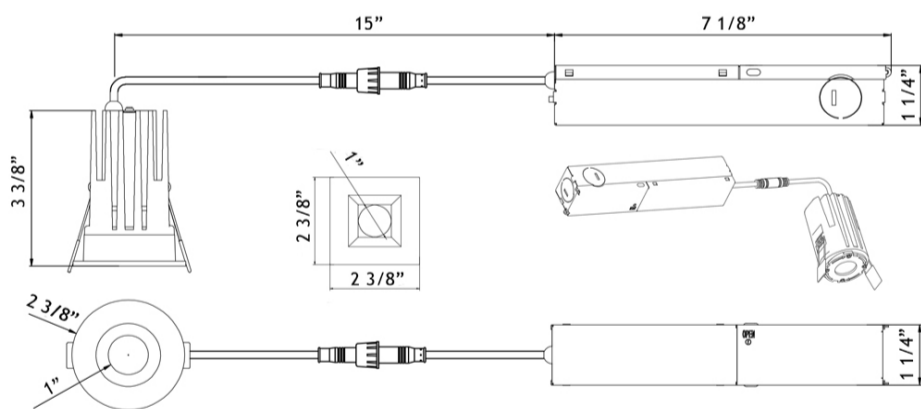
Round & Square / White & Black interchangeable trims

Driver Inside Connection Box - No Junction Box Needed



DIMENSIONS: ID 2" OD 2 3/8" Depth 3 3/8" Cut Out 2 1/8"

Ceiling clearance required 5"



ACCESSORIES

Sold Separately



[26" Long Flat Rough-In Plate model # RIP2](#)



[Jumper Cables 10 ft model # JC10](#)

ORDERING GUIDE

Trim



LED-1-S7W-5CCT-1RRWH

LED-1-S7W-5CCT-1RRBK

LED-1-S7W-5CCT-1SRWH

LED-1-S7W-5CCT-1SRBK

[Round White](#)

[Round Black](#)

[Square White](#)

[Square Black](#)

Project: _____

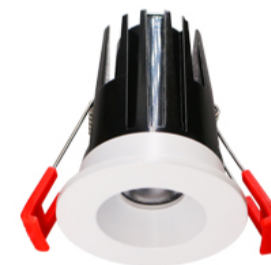
Location: _____

Model: _____ Qty: _____

Notes: _____

SPECIFICATION	
Applications	Recessed Ceiling, Soffits, Solar
Energy Used	7 W
Color Temperature (K)	5CCT: 2700 3000 3500 4000 5000
Light Output (lm)	430 460 480 480 450
Halogen Equivalent	35 W
Beam Angle	38°
CRI	90 +
Driver Input	120V AC
Dimming	TRIAC Dimmers 10% - 100%
Approved Location	Insulated Ceiling & Wet Locations
Air Tight	Yes
Ambient Temperature	-4°F (-20°C) to +104°F (+40°C)
Projected Life	70% Light Output at 50,000 Hours
Certification	cETLus, Energy Star
Warranty	3 Year

[Available Trims](#)



Round White 1RRWH



Round Black 1RRBK



Square White 1SRWH



Square Black 1SRBK

COMPLIANCE



Type IC
Air-Tight

Lotus LED Lights USA

250 H Street # 301, Blaine WA 98230 tel 360-200-5500
Hainesport NJ, Naples FL, Dallas TX, Vancouver WA

www.LotusLEDLights.com

mailing addresses
warehouses

Lotus LED Lights CANADA

702 Chester Rd, Delta BC V3M 6J1 tel 604-538-3090
Delta BC & Mississauga ON